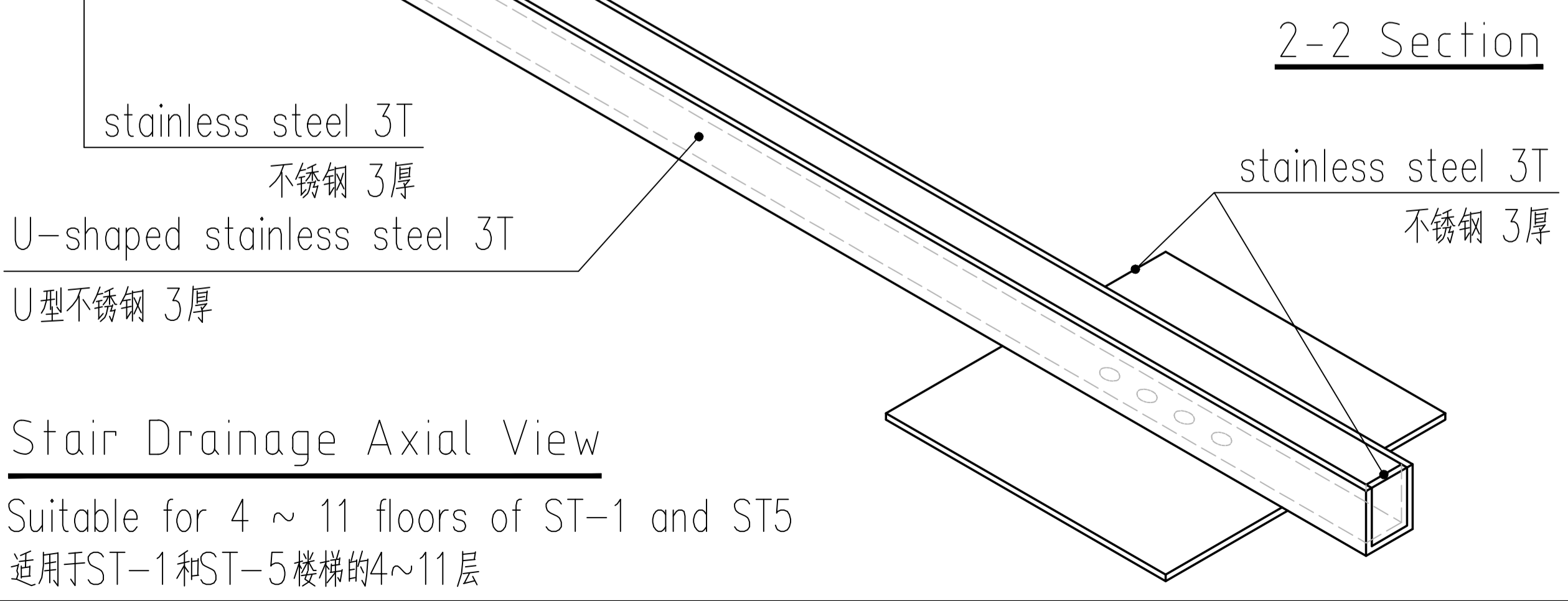


1: 2 waterproof mortar 10mm  
1: 2 防水砂浆 10厚

Drain pipe  
排水管



<b>CLIENT</b> BRAC University 75 Mahabali, 1212 Dhaka Bangladesh T: +81 02 2881 265 F: +81 02 8823 542 E: bracu@bracu.net		<b>DESIGN CONSULTANT</b> W O H A D E S I G N S P T E L T D 23 Hongkong Street Singapore 059839 T: +65 6423 3555 F: +65 6423 4686 E: woha@woha.net		<b>LOCAL ARCHITECT</b> J.A. Architects Limited C-1 (1st Floor), Raffles House, 101-111, 40 Collyer Quay, Singapore 049319 T: +65 6233 8208 F: +65 6220 7828 E: wba@jarchitect.com.sg		<b>STRUCTURAL CONSULTANT</b> Web Structures Pte Ltd 40 Collyer Quay, Singapore 049319 T: +65 6233 8208 F: +65 6220 7828 E: wba@jarchitect.com.sg		<b>M.S.P. ENGINEER</b> M.S.P. Engineers House 7, 12th Floor, Road 17, Nalanda, Singapore 119070 T: +65 6233 8208 F: +65 6220 7828 E: mspe@mspe.com.sg		<b>ELECTRICAL ENGINEER</b> Techno Consultants 27/A, Montross Road, Singapore 119070 T: +65 6233 8208 F: +65 6220 7828 E: techno@techno.com.sg		<b>ACOUSTIC CONSULTANT</b> ARUP Singapore Pte Ltd 10 Hoe Chiang Road #25-01, Keppel Towers, Singapore 119070 T: +65 6441 2500 F: +65 6441 2501 E: SNU@arup.com.sg		<b>CONTRACTOR</b> BEIJING-ABC JOINT VENTURE BEIJING URBAN CONSTRUCTION GROUP CO., LTD Chengde Plaza Beijing PRC/China Tel: 010-59610281/114 Fax: 010-59610280		<b>ASSOCIATED BUILDERS CORPORATION LTD</b> ABC HOUSE 7th floor, 18th Avenue, CA, Koral Mahak Avenue Dhaka 1213 Tel: 8827291-2, 3881 8020, 9891553, 982905	
<b>PROJECT</b> BRAC University Stair Drainage		<b>DRAWING TITLE</b> Stair Drainage		<b>DRAWING INFORMATION</b> Rev No. 1 Date 12 MAR 2020 Scale As indicated Checked By Drawn By Checked By Drawn By		<b>AMENDMENTS</b> No. 1 Description Date		<b>REVISIONS</b> No. 1 Description Date		<b>BY</b> Date 12 MAR 2020							