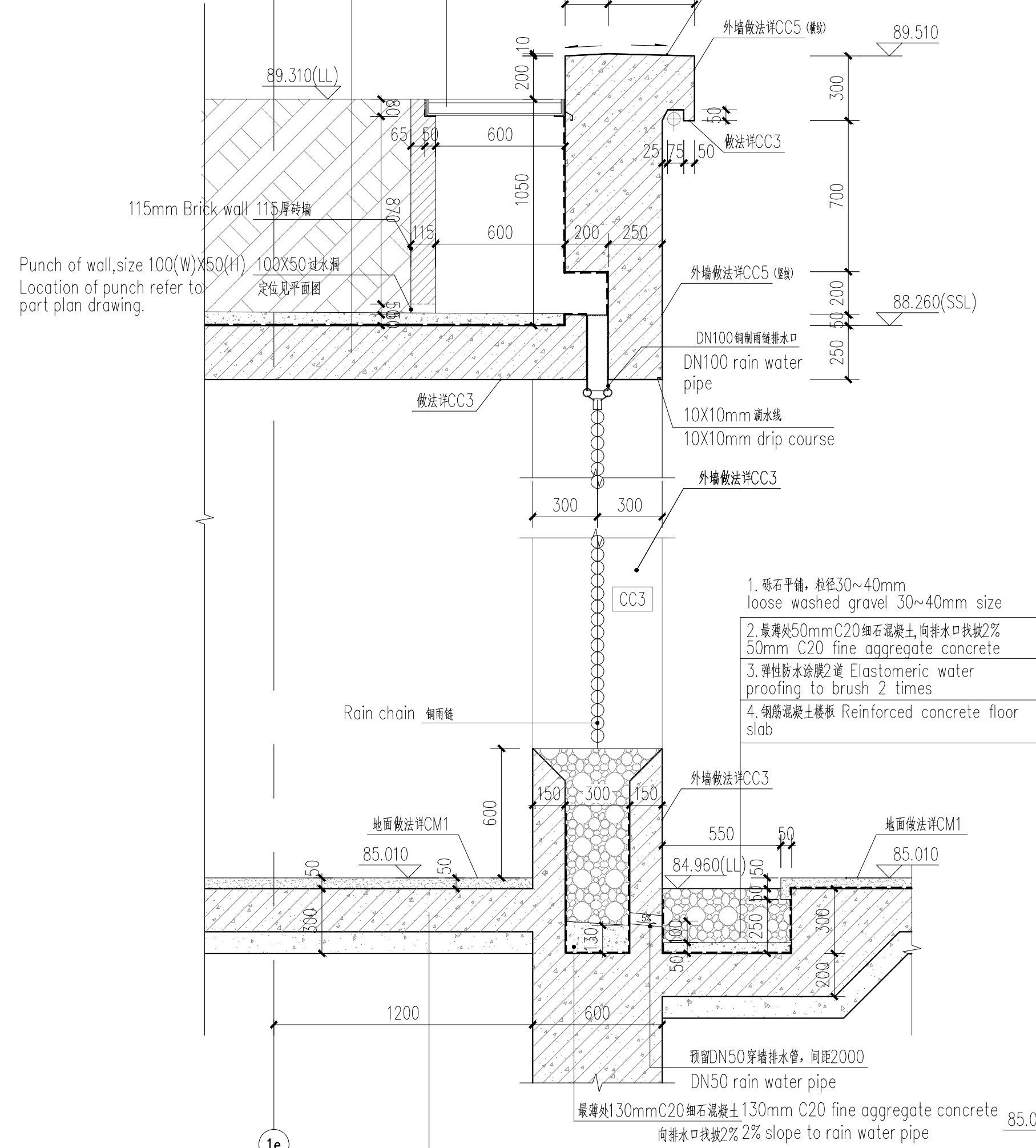
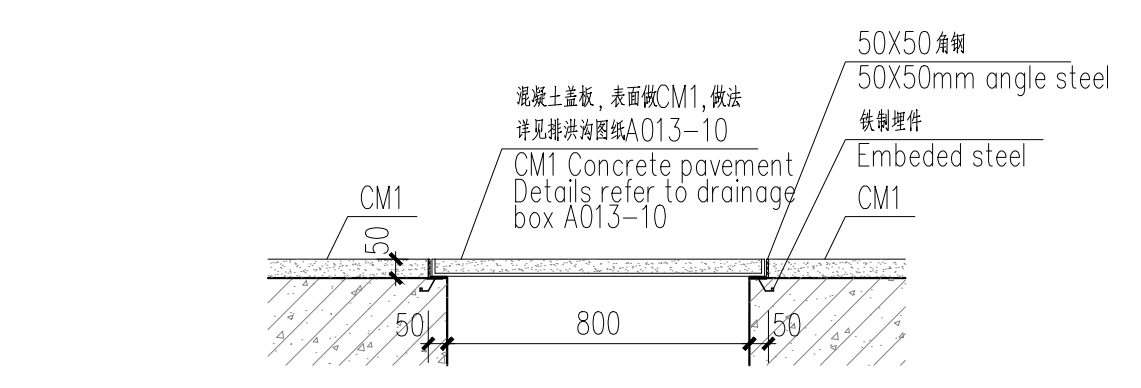


- 屋顶绿化做法:
1. 回填土 backfill
 2. 最薄处50mm C20细石混凝土, 向排水口找坡2%
50mm C20 fine aggregate concrete
 3. 弹性防水涂膜2遍 Elastomeric water proofing to brush 2 times
 4. 钢筋混凝土楼板 Reinforced concrete floor slab

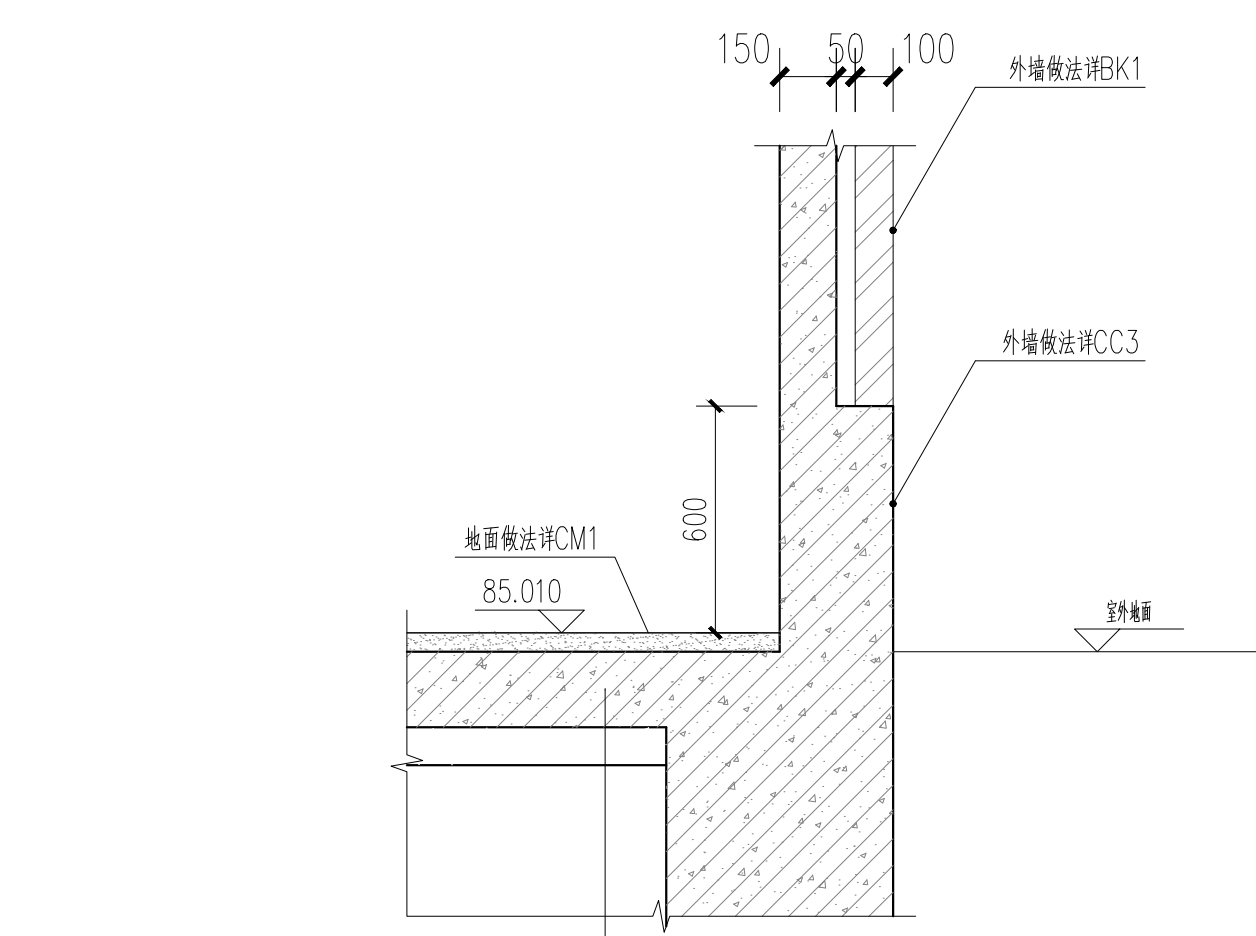


地面做法参见CM1

钢筋混凝土板 Reinforced concrete slab
C20/25细石混凝土垫层100mm C20/25 fine stone concrete cushion 100mm
铺设一层乙稀薄膜 ethylene film 1 layer
200厚细砂回填, 喷洒防蚁药水 200mm anti-termite layer, fine sand backfill
素土夯实 backfill rammed



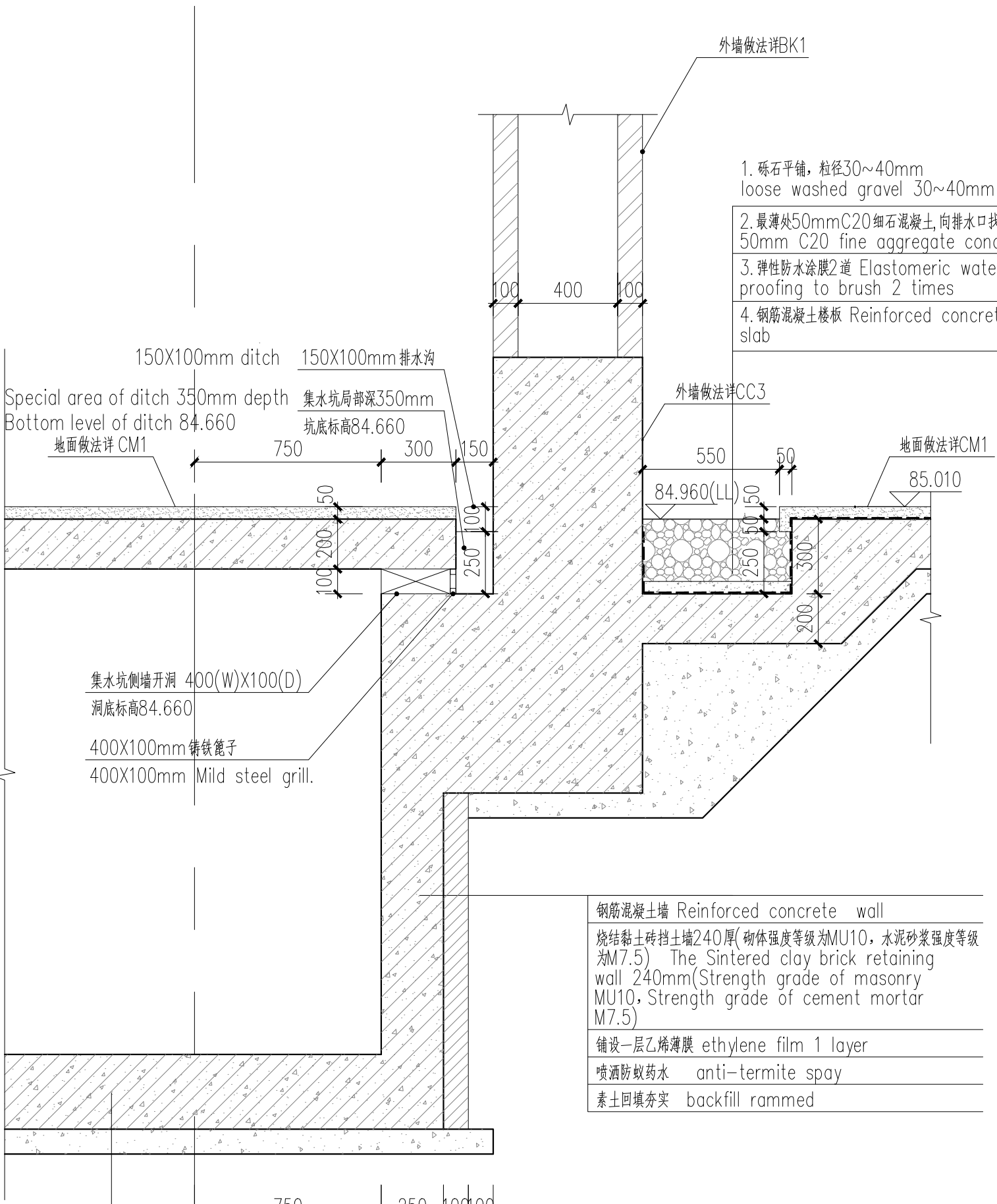
16 1:20



地面做法参见CM1

钢筋混凝土板 Reinforced concrete slab
C20/25细石混凝土垫层100mm C20/25 fine stone concrete cushion 100mm
铺设一层乙稀薄膜 ethylene film 1 layer
200厚细砂回填, 喷洒防蚁药水 200mm anti-termite layer, fine sand backfill
素土夯实 backfill rammed

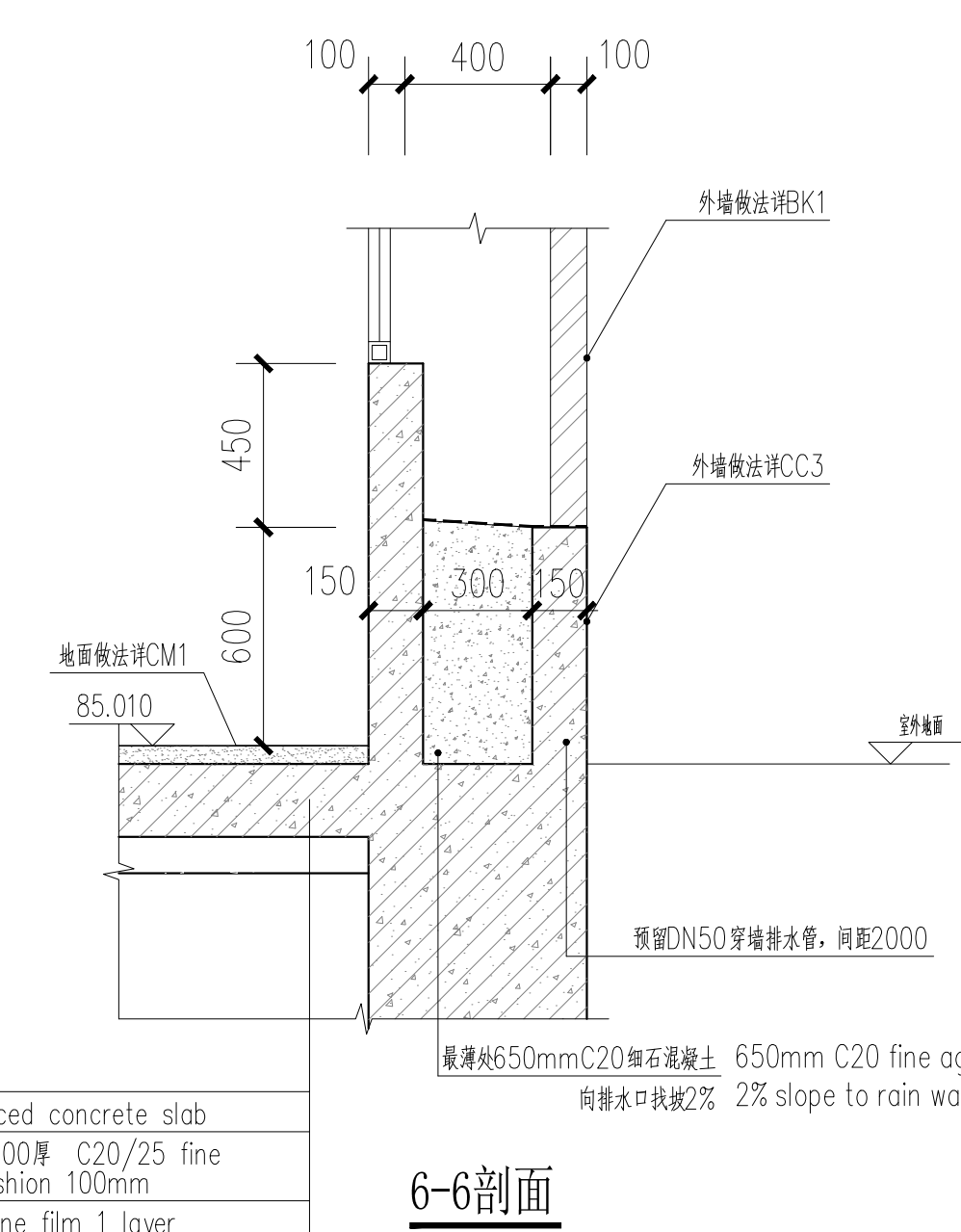
5-5剖面



8-8剖面

钢筋混凝土板 Reinforced concrete slab

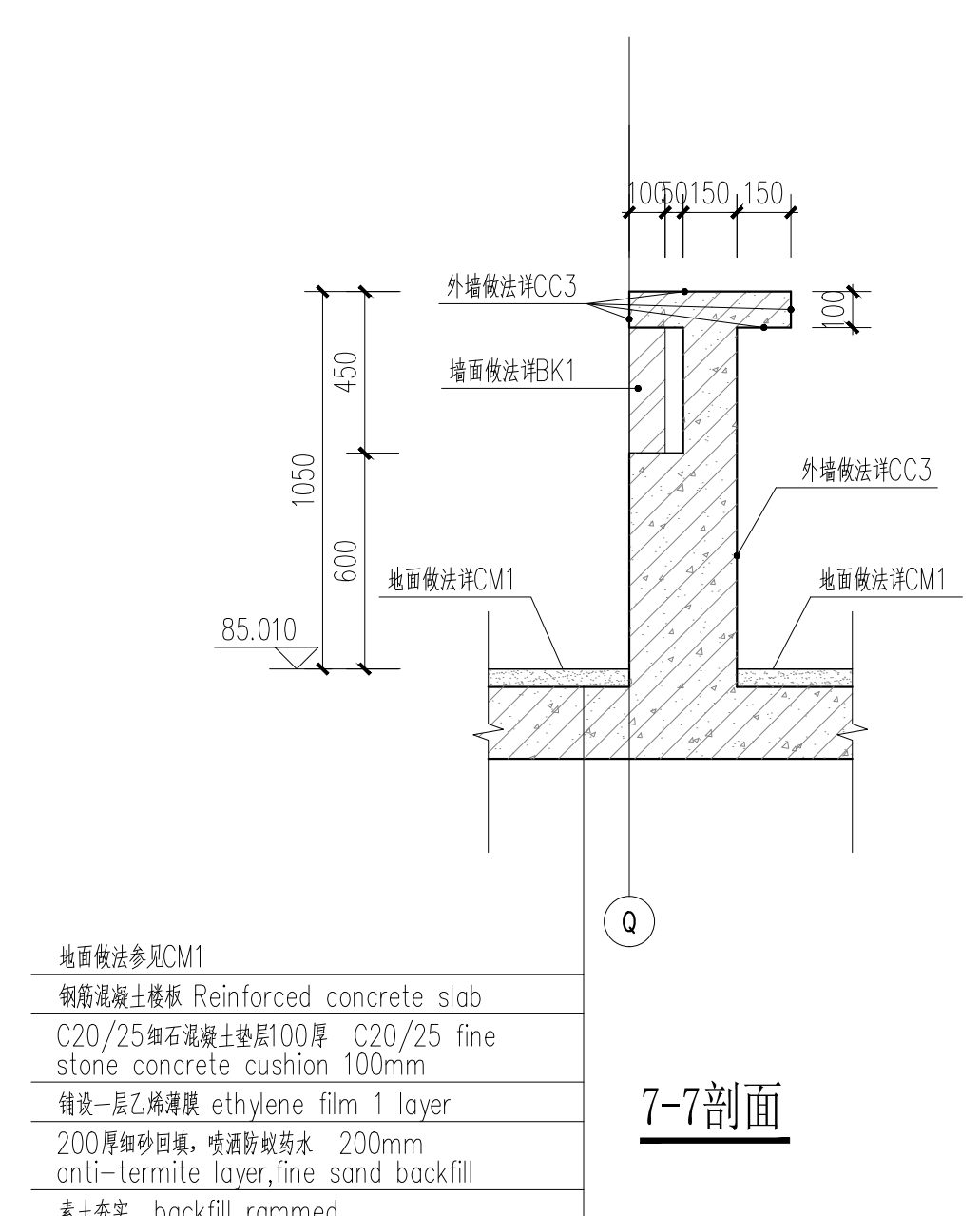
C20/25细石混凝土垫层100mm C20/25 fine stone concrete cushion 100mm
铺设一层乙稀薄膜 ethylene film 1 layer
200厚细砂回填, 喷洒防蚁药水 200mm anti-termite layer, fine sand backfill
素土夯实 backfill rammed



6-6剖面

地面做法参见CM1

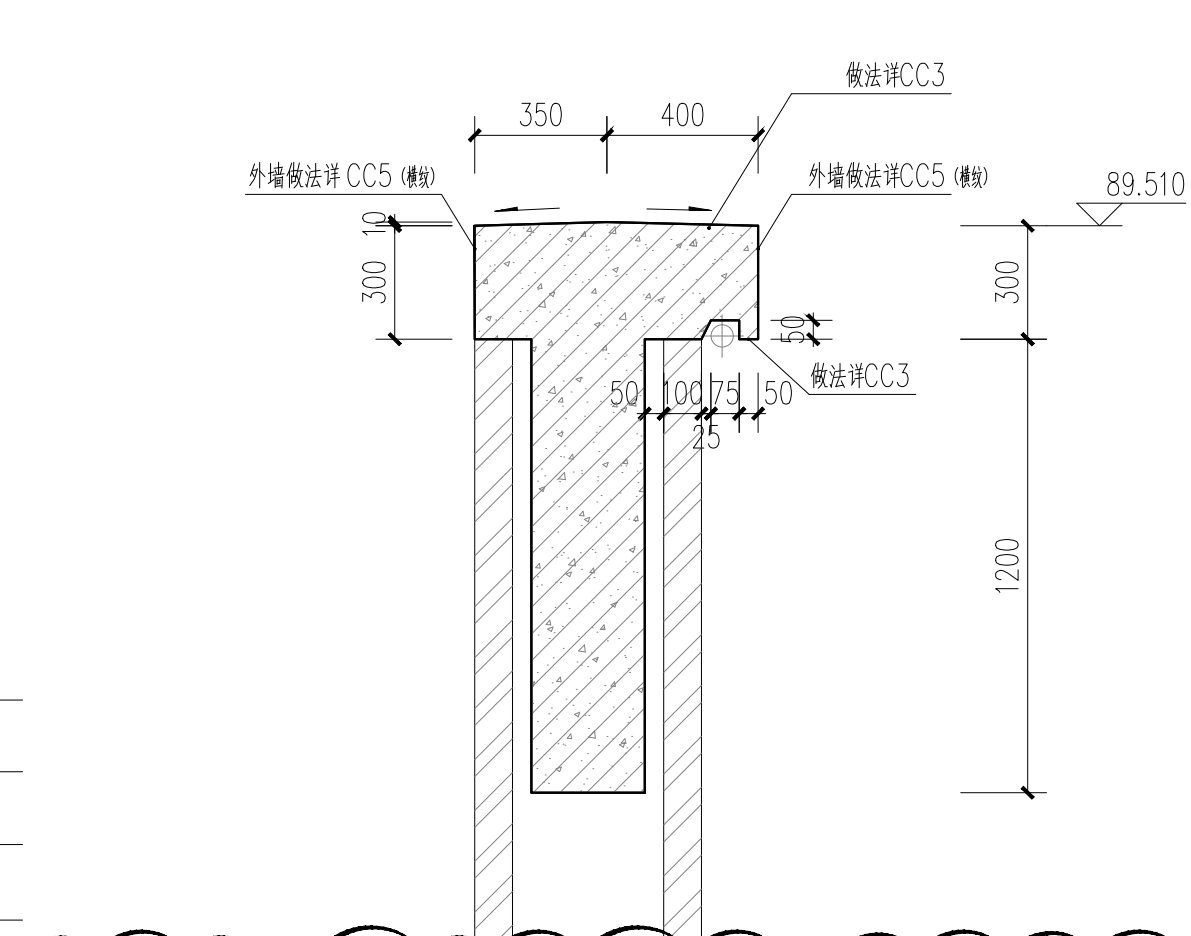
钢筋混凝土板 Reinforced concrete slab
C20/25细石混凝土垫层100mm C20/25 fine stone concrete cushion 100mm
铺设一层乙稀薄膜 ethylene film 1 layer
200厚细砂回填, 喷洒防蚁药水 200mm anti-termite layer, fine sand backfill
素土夯实 backfill rammed



7-7剖面

地面做法参见CM1

钢筋混凝土板 Reinforced concrete slab
C20/25细石混凝土垫层100mm C20/25 fine stone concrete cushion 100mm
铺设一层乙稀薄膜 ethylene film 1 layer
200厚细砂回填, 喷洒防蚁药水 200mm anti-termite layer, fine sand backfill
素土夯实 backfill rammed

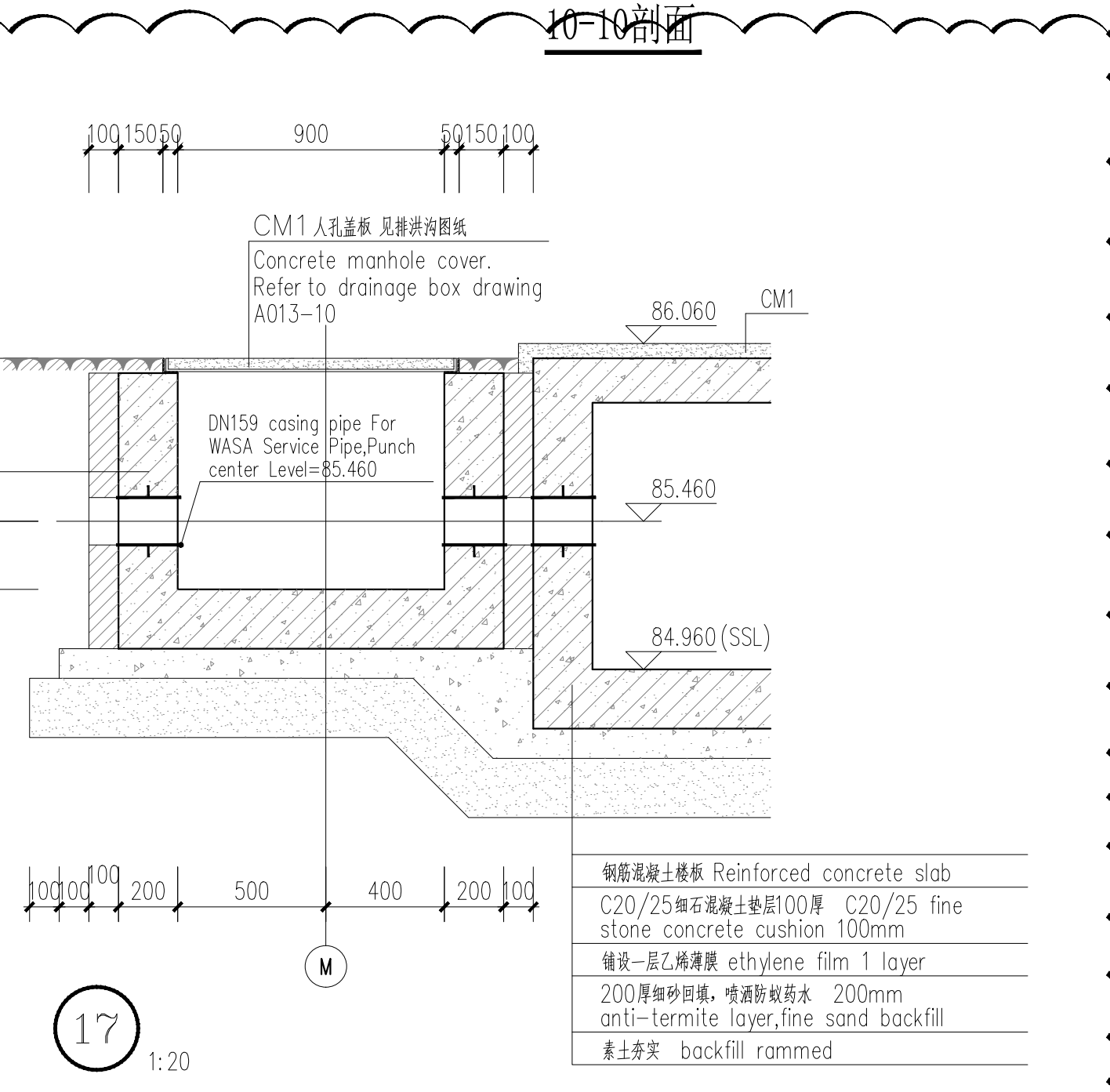


9-9剖面

钢筋混凝土墙 Reinforced concrete wall

烧结粘土砖砌土墙100厚(砌体强度等级MU10, 水泥砂浆强度等级M7.5) The Sintered clay brick retaining wall 100mm(Strength grade of masonry MU10, Strength grade of cement mortar M7.5)
铺设一层乙稀薄膜 ethylene film 1 layer
喷洒防蚁药水 anti-termite spay
素土回填夯实 backfill rammed

17 1:20



10-10剖面

钢筋混凝土板 Reinforced concrete slab

C20/25细石混凝土垫层100mm C20/25 fine stone concrete cushion 100mm
铺设一层乙稀薄膜 ethylene film 1 layer
200厚细砂回填, 喷洒防蚁药水 200mm anti-termite layer, fine sand backfill
素土夯实 backfill rammed