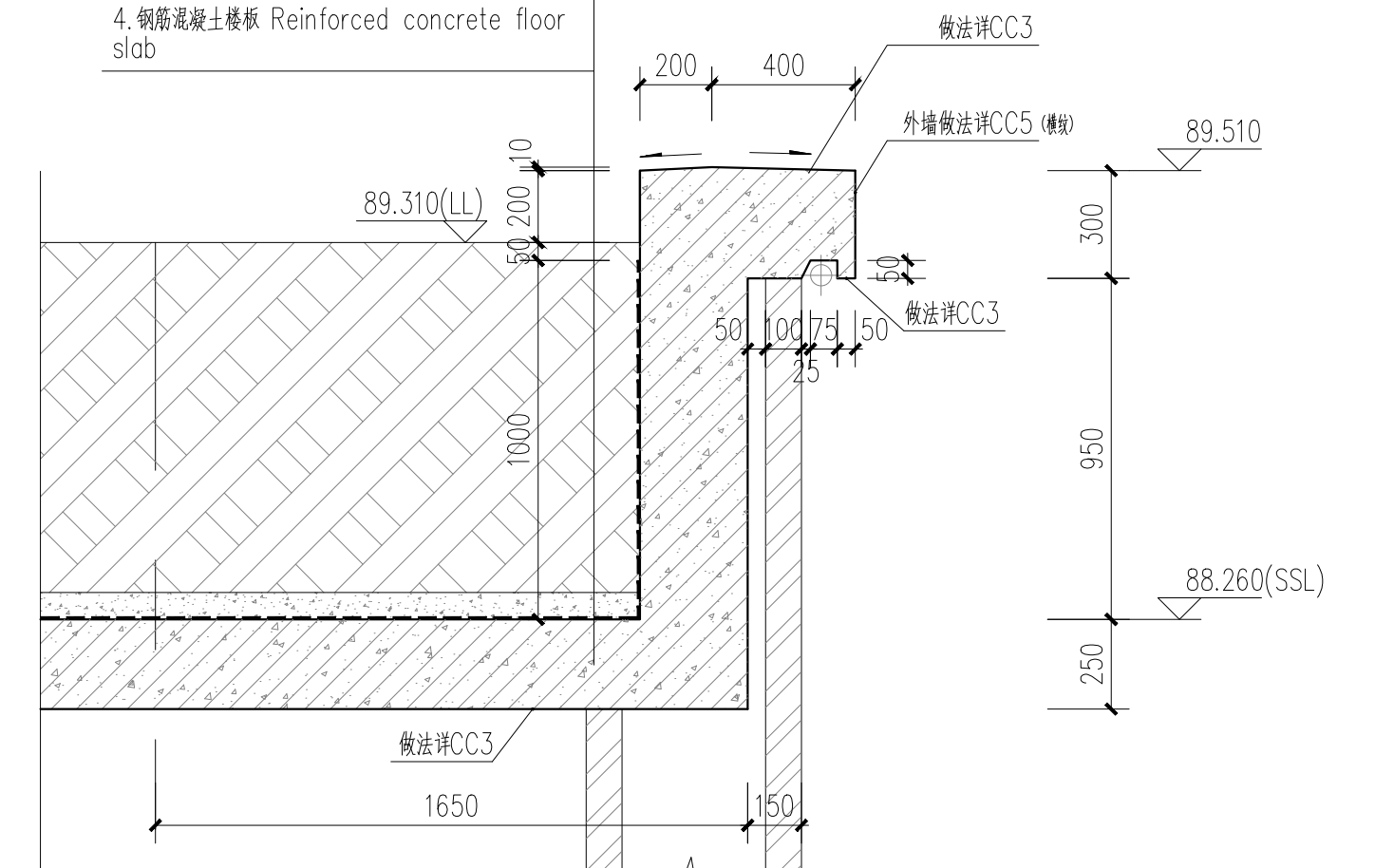


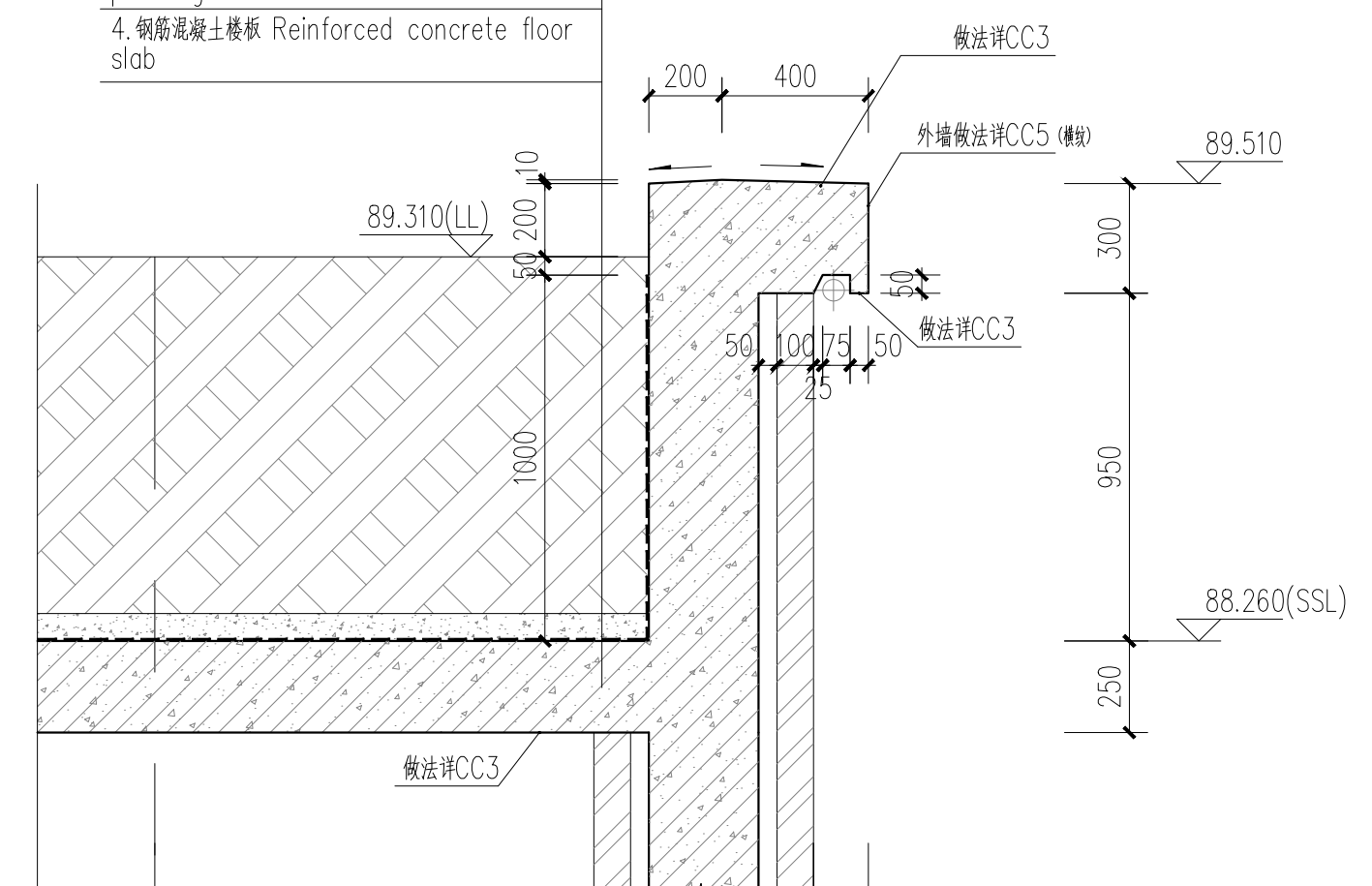
- 屋顶绿化做法:
1. 回填土 backfill
 2. 最薄处50mm C20细石混凝土, 向排水口找坡2%
50mm C20 fine aggregate concrete
 3. 弹性防水涂料2遍 Elastomeric water proofing to brush 2 times
 4. 钢筋混凝土楼板 Reinforced concrete floor slab



1-1剖面

- 地面做法参见CM1
- 钢筋混凝土楼板 Reinforced concrete slab
 - C20/25细石混凝土垫层100mm C20/25 fine stone concrete cushion 100mm
 - 铺设一层乙稀薄膜 ethylene film 1 layer
 - 200厚细砂回填, 喷透防水剂水 200mm anti-termitite layer, fine sand backfill
 - 素土夯实 backfill rammed

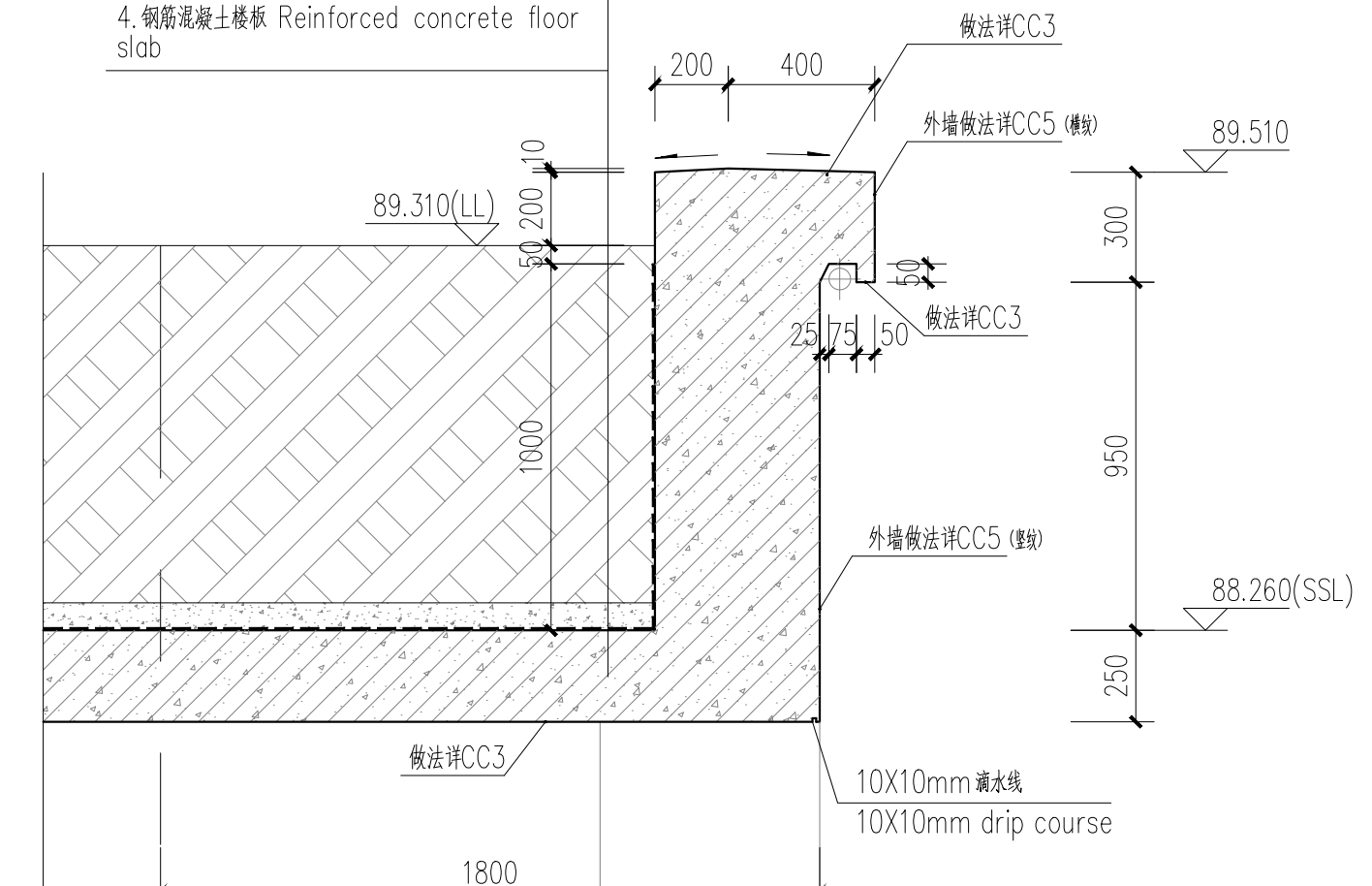
- 屋顶绿化做法:
1. 回填土 backfill
 2. 最薄处50mm C20细石混凝土, 向排水口找坡2%
50mm C20 fine aggregate concrete
 3. 弹性防水涂料2遍 Elastomeric water proofing to brush 2 times
 4. 钢筋混凝土楼板 Reinforced concrete floor slab



2-2剖面

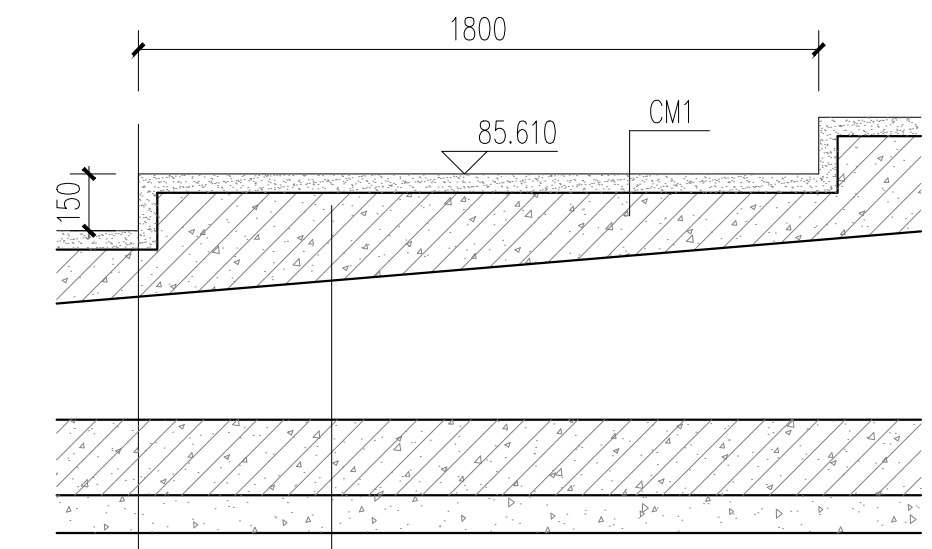
- 地面做法参见CM1
- 钢筋混凝土楼板 Reinforced concrete slab
 - C20/25细石混凝土垫层100mm C20/25 fine stone concrete cushion 100mm
 - 铺设一层乙稀薄膜 ethylene film 1 layer
 - 200厚细砂回填, 喷透防水剂水 200mm anti-termitite layer, fine sand backfill
 - 素土夯实 backfill rammed

- 屋顶绿化做法:
1. 回填土 backfill
 2. 最薄处50mm C20细石混凝土, 向排水口找坡2%
50mm C20 fine aggregate concrete
 3. 弹性防水涂料2遍 Elastomeric water proofing to brush 2 times
 4. 钢筋混凝土楼板 Reinforced concrete floor slab



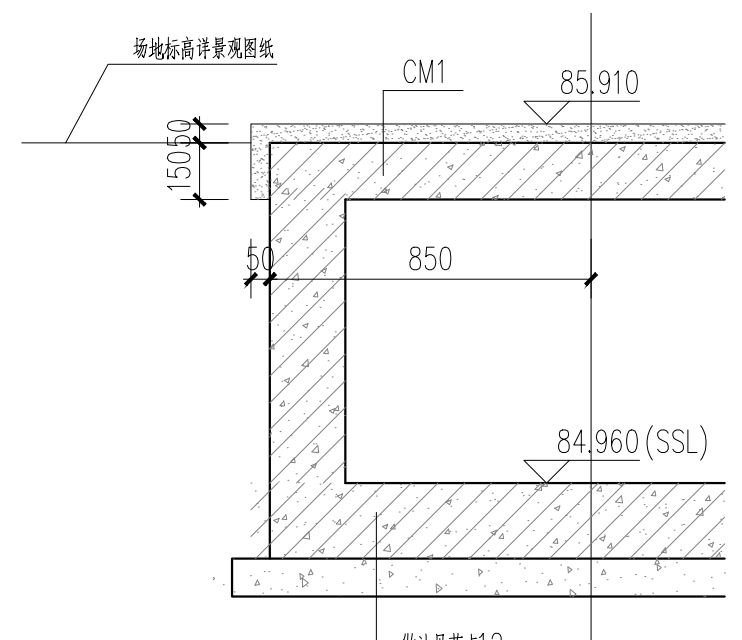
3-3剖面

- 地面做法参见CM1
- 钢筋混凝土楼板 Reinforced concrete slab
 - C20/25细石混凝土垫层100mm C20/25 fine stone concrete cushion 100mm
 - 铺设一层乙稀薄膜 ethylene film 1 layer
 - 200厚细砂回填, 喷透防水剂水 200mm anti-termitite layer, fine sand backfill
 - 素土夯实 backfill rammed

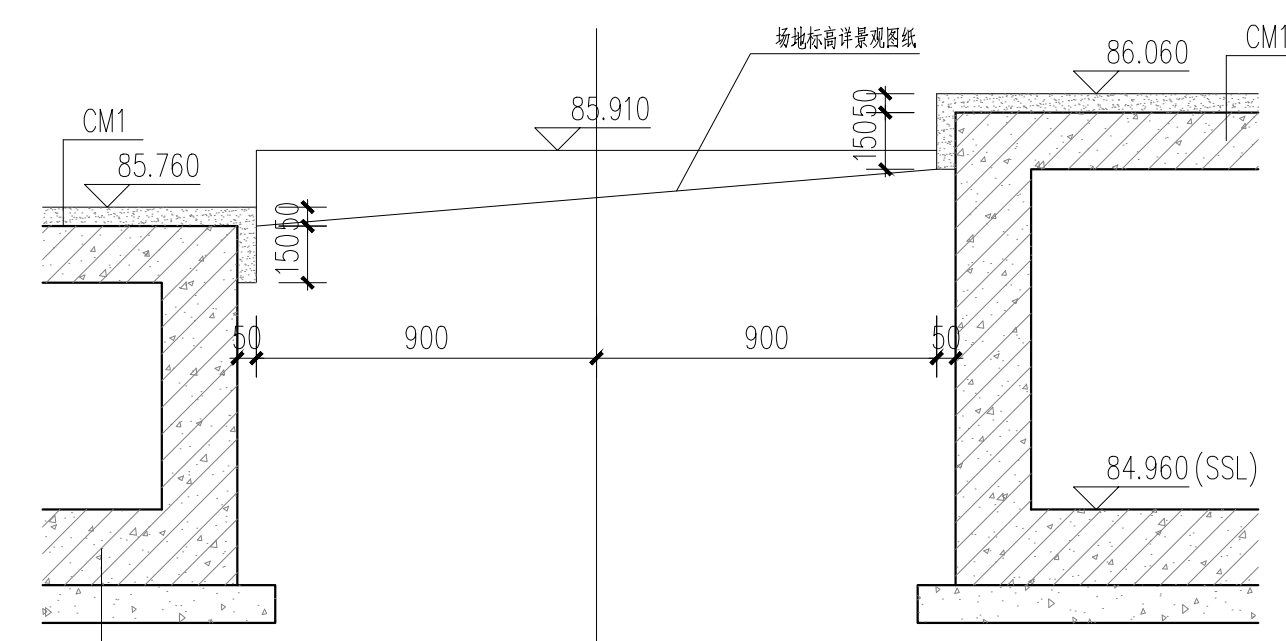


- CM1, 50mm厚
- 钢筋混凝土楼板 Reinforced concrete slab
 - 结构空隙
 - 钢筋混凝土楼板 Reinforced concrete slab
 - C20/25细石混凝土垫层100mm C20/25 fine stone concrete cushion 100mm
 - 铺设一层乙稀薄膜 ethylene film 1 layer
 - 200厚细砂回填, 喷透防水剂水 200mm anti-termitite layer, fine sand backfill
 - 素土夯实 backfill rammed

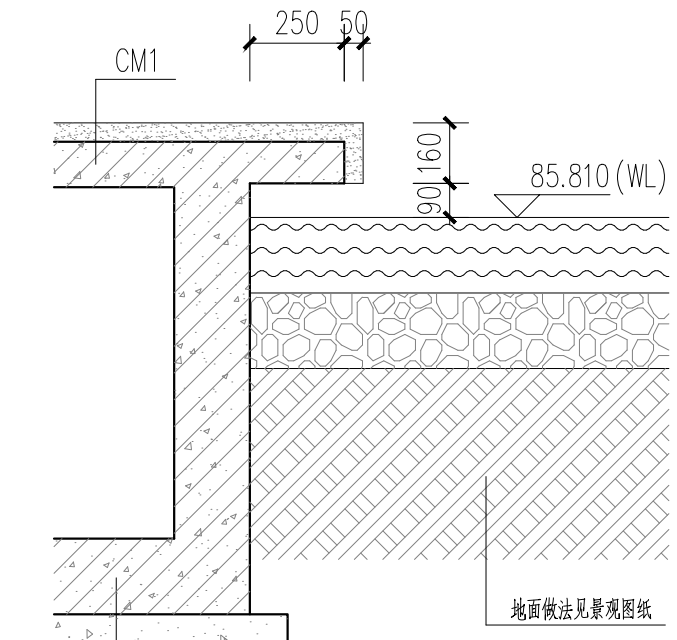
12 1:20



13 1:20



14 1:20



15 1:20